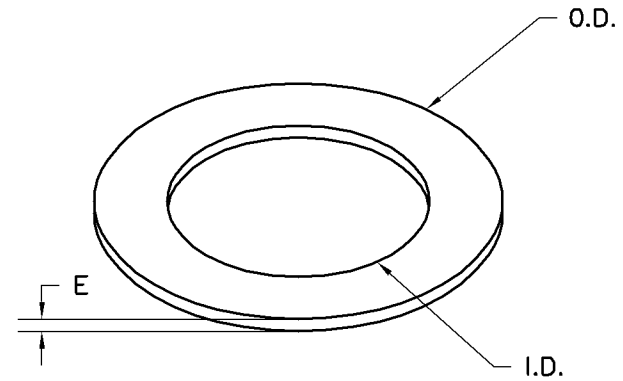


NIPPLE NUT



NIPPLE WASHER

PART NO. (NUT)	A (PIPE SIZE)	B (FLATS)	C (POINTS)	D (THICKNESS)
1908	3 1/2	5	5 13/16	1 1/16
1885	3	4 9/16	5 1/4	15/16
1828	2 1/2	3 13/16	4 7/16	13/16
1228	2	3 1/16	3 9/16	9/16
1565	1 1/2	2 1/2	2 15/16	15/32
1575	1	1 7/8	2 3/16	15/32
1728	3/4	1 3/8	1 5/8	3/8

PART NO. (WASHER)	O.D.	I.D.	E (THICKNESS)
1943	5 3/4	4 1/16	5/16
1891	5 1/4	3 9/16	9/32
1831	4 3/8	2 29/32	9/32
1259	3 15/16	2 13/32	9/32
1568	3 3/8	1 15/16	9/32
3974	3	1 15/16	9/32
1578	2 3/4	1 11/32	9/32
1729	1 15/16	1 1/8	1/8