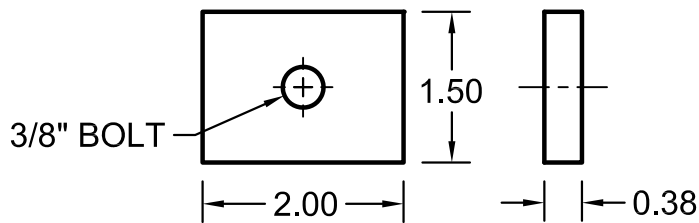


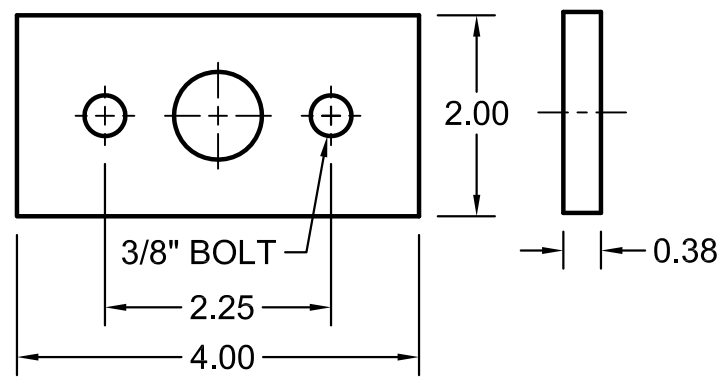
REVISION HISTORY			
REV	DESCRIPTION	DATE	APPROVED

3/8" MOUNTED ANODE KITS CONSIST OF TWO ANODES SUPPLIED WITH 3/8-24 UNF HEX CAP SCREWS AND LOCK WASHERS FOR MOUNTING

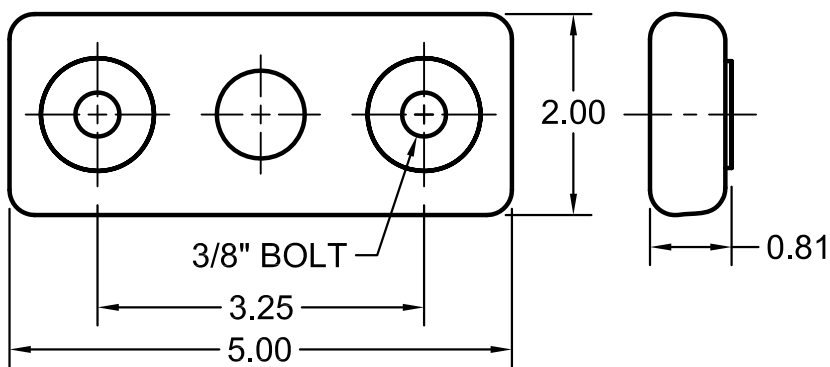
P/N ZN3802K - ANODE KIT ZINC - 0.75 LB
P/N AL3802K - ANODE KIT ALUMINUM - 0.5 LB



P/N ZN3804K - ANODE KIT ZINC - 2 LB
P/N AL3804K - ANODE KIT ALUMINUM - 1.5 LB



P/N ZN3805K - ANODE KIT ZINC - 4 LB
P/N AL3805K - ANODE KIT ALUMINUM - 2 LB



PROPRIETARY AND CONFIDENTIAL

THE INFORMATION CONTAINED IN THIS DRAWING IS THE SOLE PROPERTY OF R.W. FERNSTRUM & COMPANY. ANY REPRODUCTION IN PART OR AS A WHOLE WITHOUT THE WRITTEN PERMISSION OF R.W. FERNSTRUM & COMPANY IS PROHIBITED. FERNSTRUM® AND GRIDCOOLER® ARE TRADEMARKS OF R.W. FERNSTRUM & COMPANY.

DRAWN	TSF	DATE	2018-12-10	ITEM	QTY	PART NO	DESCRIPTION	WEIGHT
CHECKED	KDR	DATE	2018-12-12	R.W. FERNSTRUM & COMPANY 1716 11TH AVENUE MENOMINEE, MICHIGAN 49858, USA				
APPROVED	KDR	DATE	2018-12-12					
UNLESS OTHERWISE SPECIFIED DIM ARE IN INCHES TOL ON ANGLE $\pm 3^\circ$ 2PL ± 0.03 3PL ± 0.005 FRAC 1/32				TITLE 3/8" MOUNTED ANODE KIT REFERENCE				
MATERIAL -				SIZE B	DWG NO 3215B			REV -
				SCALE	1/2	WEIGHT	-	SHEET 1 OF 1