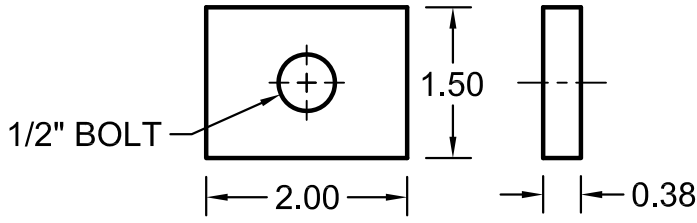


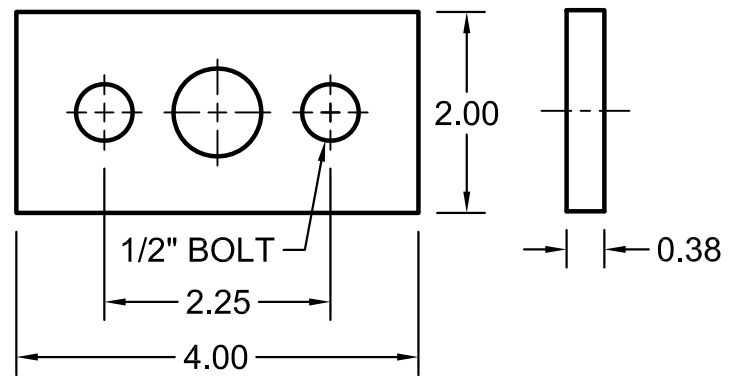
REVISION HISTORY			
REV	DESCRIPTION	DATE	APPROVED

1/2" MOUNTED ANODE KITS CONSIST OF TWO ANODES SUPPLIED WITH 1/2-20 UNF HEX CAP SCREWS AND LOCK WASHERS FOR MOUNTING

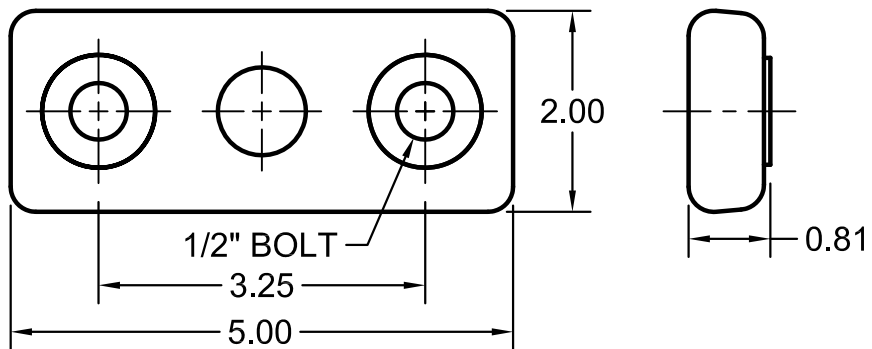
P/N ZN5002K - ANODE KIT ZINC - 0.75 LB
P/N AL5002K - ANODE KIT ALUMINUM - 0.5 LB



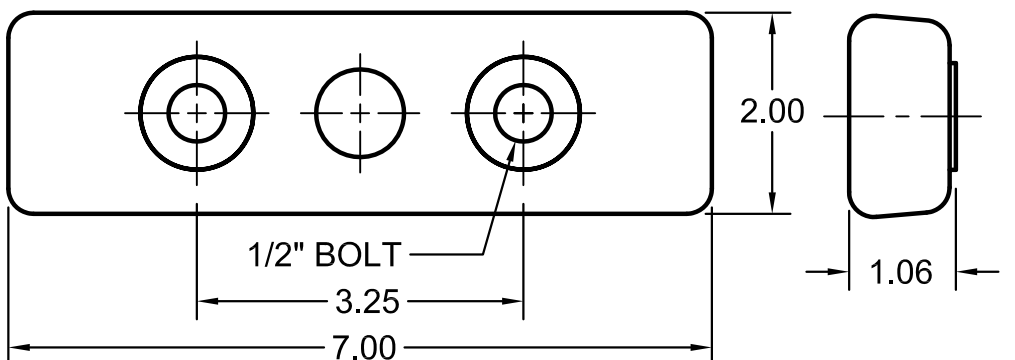
P/N ZN5004K - ANODE KIT ZINC - 2 LB
P/N AL5004K - ANODE KIT ALUMINUM - 1.5 LB



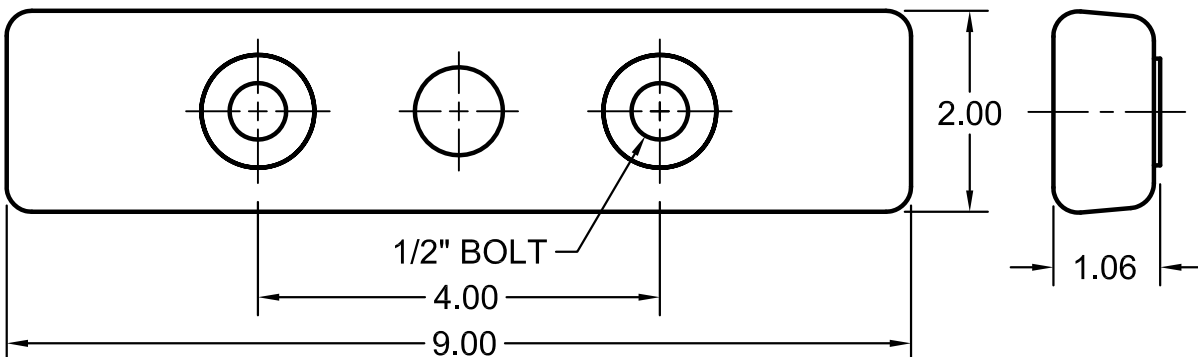
P/N ZN5005K - ANODE KIT ZINC - 4 LB
P/N AL5005K - ANODE KIT ALUMINUM - 2 LB



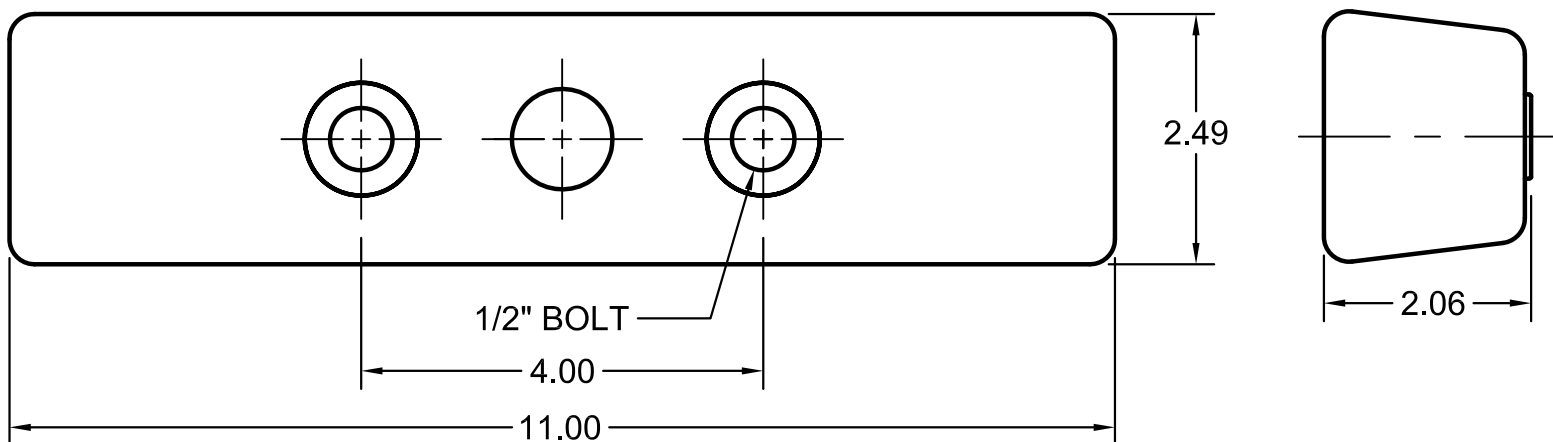
P/N ZN5007K - ANODE KIT ZINC - 7 LB
P/N AL5007K - ANODE KIT ALUMINUM - 3 LB



P/N ZN5009K - ANODE KIT ZINC - 9 LB
P/N AL5009K - ANODE KIT ALUMINUM - 4 LB



P/N AL5011K - ANODE KIT ALUMINUM - 11 LB



PROPRIETARY AND CONFIDENTIAL
THE INFORMATION CONTAINED IN THIS DRAWING IS THE SOLE PROPERTY OF R.W. FERNSTRUM & COMPANY. ANY REPRODUCTION IN PART OR AS A WHOLE WITHOUT THE WRITTEN PERMISSION OF R.W. FERNSTRUM & COMPANY IS PROHIBITED. FERNSTRUM® AND GRIDCOOLER® ARE TRADEMARKS OF R.W. FERNSTRUM & COMPANY.

DRAWN	TSF	DATE	2018-12-10	R.W. FERNSTRUM & COMPANY 1716 11TH AVENUE MENOMINEE, MICHIGAN 49858, USA			ITEM	QTY	PART NO	DESCRIPTION	WEIGHT		
CHECKED	KDR	DATE	2018-12-12				TITLE		1/2" MOUNTED ANODE KIT REFERENCE				
APPROVED	KDR	DATE	2018-12-12				SIZE	DWG NO	3215C		REV	-	
UNLESS OTHERWISE SPECIFIED DIM ARE IN INCHES TOL ON ANGLE ±3° 2PL ±0.03 3PL ±0.005 FRAC 1/32				SCALE	1/2	WEIGHT	-	SHEET	1 OF 1				
MATERIAL				-									