

Effective 12-10-2018:
Part Numbers for Anode Sets Have Changed.

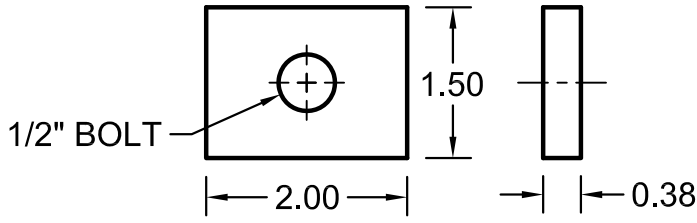
Zinc Anode Sets (Kits)		Aluminum Anode Sets (Kits)	
OLD PN	NEW PN	OLD PN	NEW PN
1274S	ZN3805K	1274DS	AL3805K
1274BS	ZN3805E1K	-	-
1404BS	ZN5004K	1404DS	AL5004K
1404AS	ZN3804E1K	-	AL5004E1K
1404S	ZN3804K	1404FS	AL3804K
1404CS	ZN5004E1K	-	-
1874BS	ZN5007E1K	-	-
1874S	ZN5007K	1874DS	AL5007K
2624S	ZN5005K	2624DS	AL5005K
2624BS	ZN5005E1K	2624ES	AL5005E1K
2874S	ZN5009K	2874DS	AL5009K
2874BS	ZN5009E1K	-	-
3076BS	ZN5002K	3076DS	AL5002K
3076S	ZN3802K	3076FS	AL3802K
-	-	3583S	AL5011K

DANODE2 Rev. 10/08/24

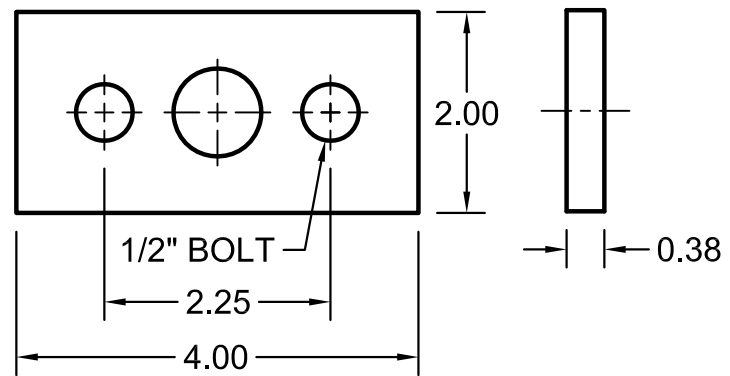
REVISION HISTORY			
REV	DESCRIPTION	DATE	APPROVED

1/2" MOUNTED ANODE KITS CONSIST OF TWO ANODES SUPPLIED WITH 1/2-20 UNF HEX CAP SCREWS AND LOCK WASHERS FOR MOUNTING

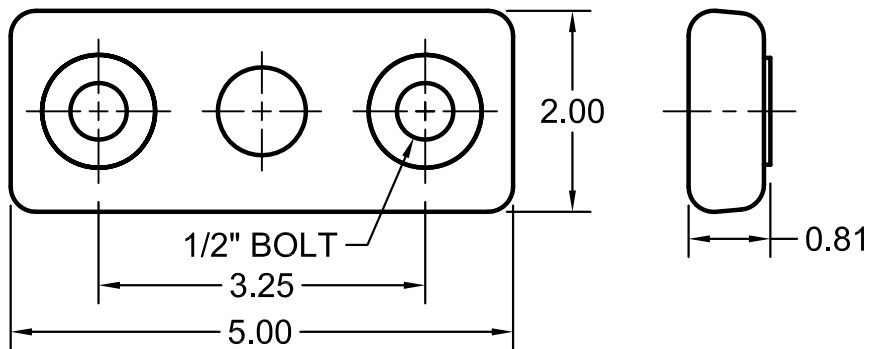
P/N ZN5002K - ANODE KIT ZINC - 0.75 LB
P/N AL5002K - ANODE KIT ALUMINUM - 0.5 LB



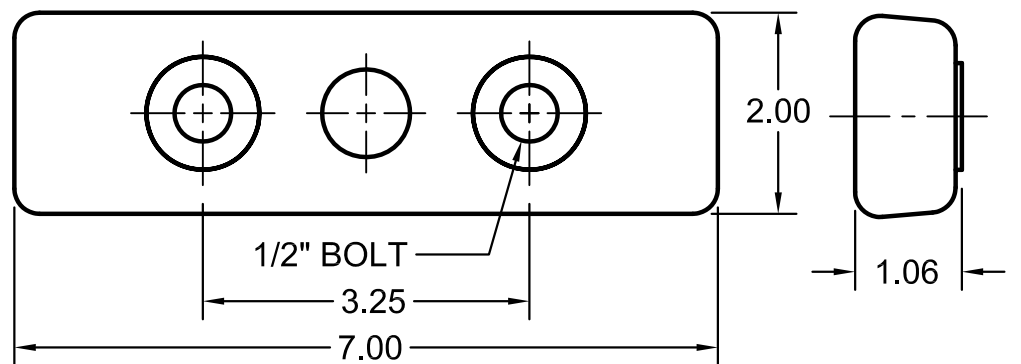
P/N ZN5004K - ANODE KIT ZINC - 2 LB
P/N AL5004K - ANODE KIT ALUMINUM - 1.5 LB



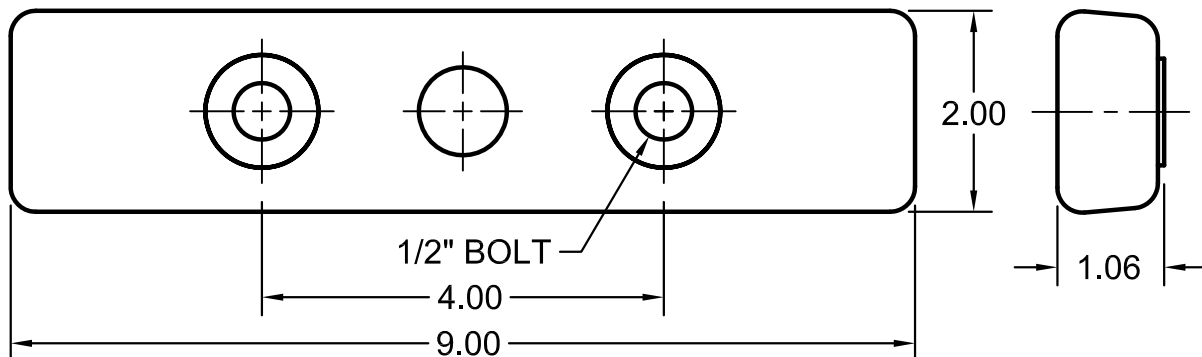
P/N ZN5005K - ANODE KIT ZINC - 4 LB
P/N AL5005K - ANODE KIT ALUMINUM - 2 LB



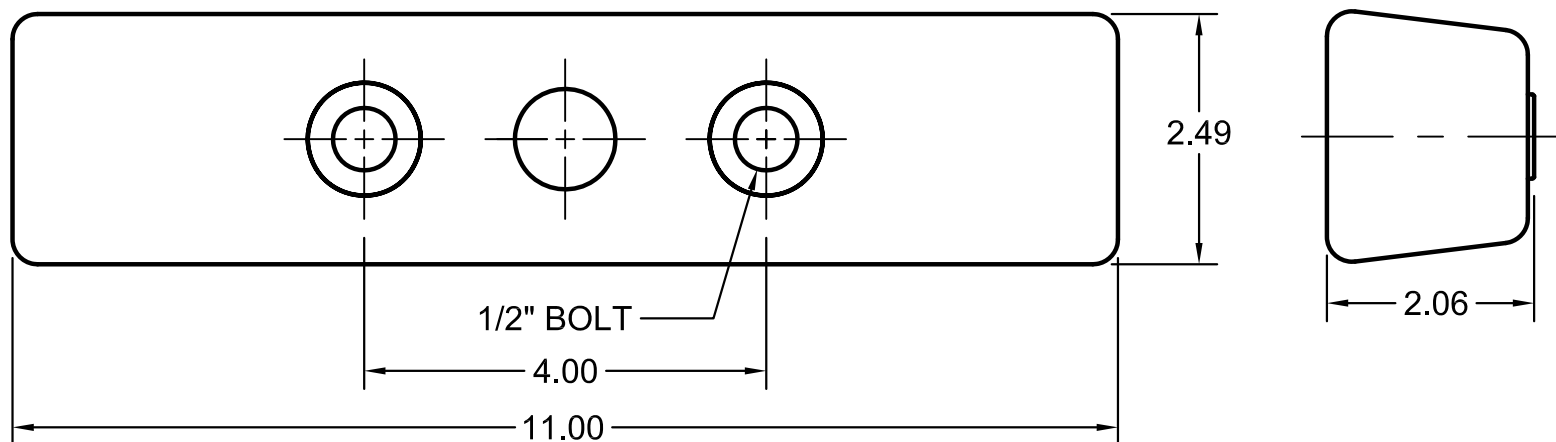
P/N ZN5007K - ANODE KIT ZINC - 7 LB
P/N AL5007K - ANODE KIT ALUMINUM - 3 LB



P/N ZN5009K - ANODE KIT ZINC - 9 LB
P/N AL5009K - ANODE KIT ALUMINUM - 4 LB



P/N AL5011K - ANODE KIT ALUMINUM - 11 LB



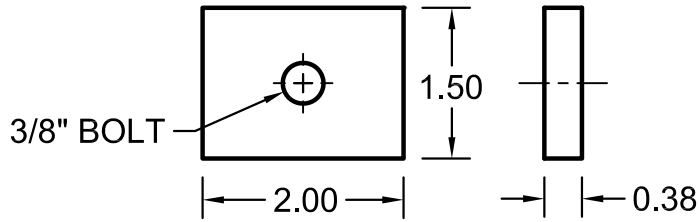
PROPRIETARY AND CONFIDENTIAL
THE INFORMATION CONTAINED IN THIS DRAWING IS THE SOLE PROPERTY OF R.W. FERNSTRUM & COMPANY. ANY REPRODUCTION IN PART OR AS A WHOLE WITHOUT THE WRITTEN PERMISSION OF R.W. FERNSTRUM & COMPANY IS PROHIBITED. FERNSTRUM® AND GRIDCOOLER® ARE TRADEMARKS OF R.W. FERNSTRUM & COMPANY.

DRAWN	TSF	DATE	2018-12-10	R.W. FERNSTRUM & COMPANY 1716 11TH AVENUE MENOMINEE, MICHIGAN 49858, USA	ITEM	QTY	PART NO	DESCRIPTION	WEIGHT
CHECKED	KDR	DATE	2018-12-12		TITLE	1/2" MOUNTED ANODE KIT REFERENCE			
APPROVED	KDR	DATE	2018-12-12		SIZE	DWG NO	3215C		REV
UNLESS OTHERWISE SPECIFIED DIM ARE IN INCHES TOL ON ANGLE ±3° 2PL ±0.03 3PL ±0.005 FRAC 1/32				SCALE	1/2	WEIGHT	-	SHEET	1 OF 1
MATERIAL				-					

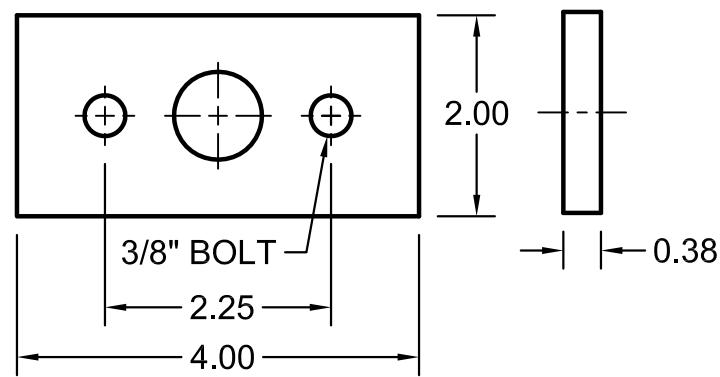
REVISION HISTORY			
REV	DESCRIPTION	DATE	APPROVED

3/8" MOUNTED ANODE KITS CONSIST OF TWO ANODES SUPPLIED WITH 3/8-24 UNF HEX CAP SCREWS AND LOCK WASHERS FOR MOUNTING

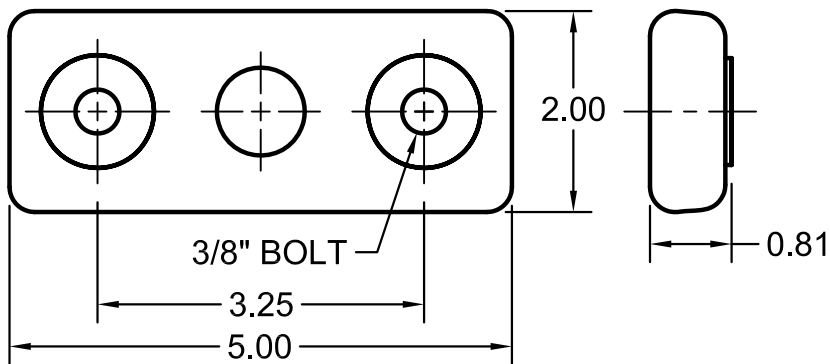
P/N ZN3802K - ANODE KIT ZINC - 0.75 LB
P/N AL3802K - ANODE KIT ALUMINUM - 0.5 LB



P/N ZN3804K - ANODE KIT ZINC - 2 LB
P/N AL3804K - ANODE KIT ALUMINUM - 1.5 LB



P/N ZN3805K - ANODE KIT ZINC - 4 LB
P/N AL3805K - ANODE KIT ALUMINUM - 2 LB



PROPRIETARY AND CONFIDENTIAL

THE INFORMATION CONTAINED IN THIS DRAWING IS THE SOLE PROPERTY OF R.W. FERNSTRUM & COMPANY. ANY REPRODUCTION IN PART OR AS A WHOLE WITHOUT THE WRITTEN PERMISSION OF R.W. FERNSTRUM & COMPANY IS PROHIBITED. FERNSTRUM® AND GRIDCOOLER® ARE TRADEMARKS OF R.W. FERNSTRUM & COMPANY.

DRAWN	TSF	DATE	2018-12-10	ITEM	QTY	PART NO	DESCRIPTION	WEIGHT
CHECKED	KDR	DATE	2018-12-12	R.W. FERNSTRUM & COMPANY 1716 11TH AVENUE MENOMINEE, MICHIGAN 49858, USA				
APPROVED	KDR	DATE	2018-12-12					
UNLESS OTHERWISE SPECIFIED DIM ARE IN INCHES TOL ON ANGLE ±3° 2PL ±0.03 3PL ±0.005 FRAC 1/32				TITLE 3/8" MOUNTED ANODE KIT REFERENCE				
MATERIAL -				SIZE B	DWG NO 3215B			REV -
				SCALE	1/2	WEIGHT	-	SHEET 1 OF 1